

BURGER MOTORSPORTS JB4 CONNECTOR PIN INTEGRATION WIRING



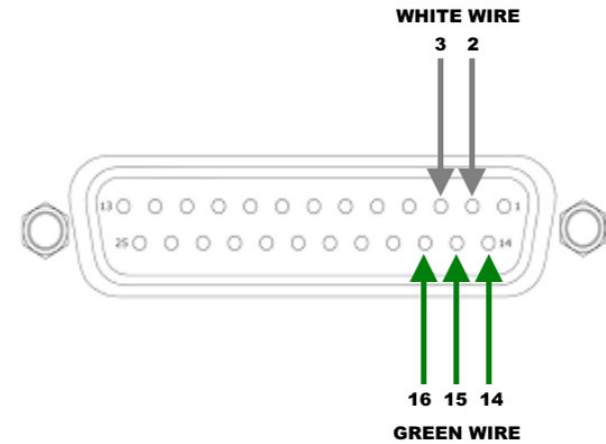
TYPICALLY

BMW N54

**WHITE TO PIN #2
GREEN TO PIN #15**

BMW N20, N55, N63, S63 and VAG (AUDI, VW, SEAT)

**WHITE TO PIN #3
GREEN TO PIN #14
OR
GREEN TO PIN #16**



COLOUR ABBREVIATIONS

BK - BLACK OG - ORANGE
RD - RED BU - BLUE
BN - BROWN WH - WHITE
YL - YELLOW GN - GREEN
GY - GREY

PLEASE NOTE

**ON BMS JB4 BASED CONTROLLERS THE REFERENCE INPUT IS THE JB4 RELEASE INPUT AND IS THEREFORE NOT AVAILABLE FOR USE
THIS ALSO APPLIES TO THE REFERENCE OUTPUT WHICH IS THE JB4 FEEDBACK WIRE FOR CONDITIONAL INFORMATION OF THE WMI**