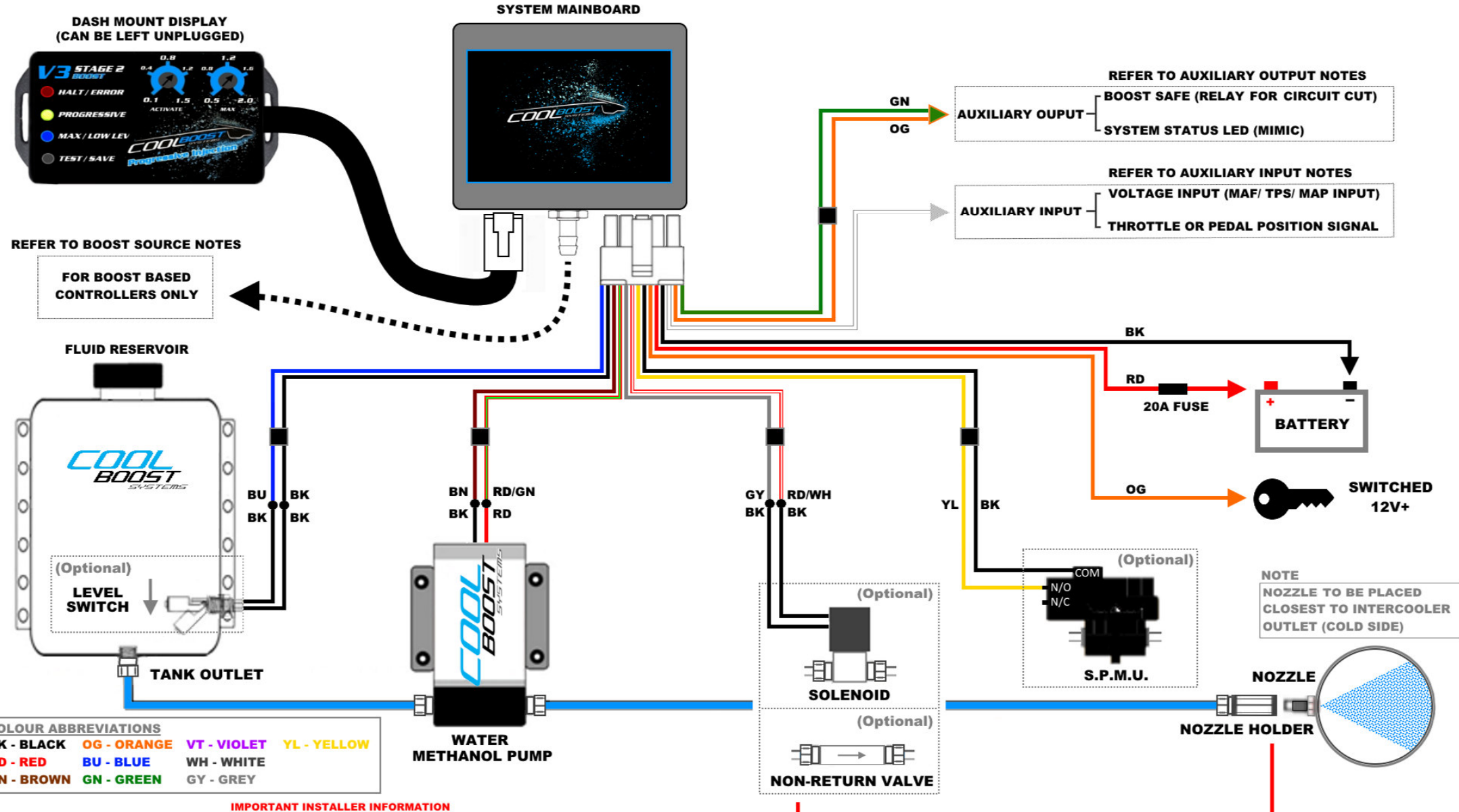


# COOL BOOST SYSTEMS

ADVANCED DETONATION SUPPRESSION & FORCED INDUCTION COOLING

## COOL BOOST WATER METHANOL SYSTEMS SNS STAGE 2 V3 PROGRESSIVE WIRING SCHEMATIC GENERIC



**IMPORTANT INSTALLER INFORMATION**

IF THE SYSTEM IS NOT EQUIPPED WITH A SOLENOID, INDIVIDUALLY TAPE UP AND ISOLATE THE GREY & RED/ WHITE WIRES  
 IF THE SYSTEM IS NOT EQUIPPED WITH A LEVEL SWITCH, CONNECT THE BLUE WIRE TO ITS PAIRED BLACK WIRE  
 IF THE SYSTEM IS NOT EQUIPPED WITH A SPMU, CONNECT THE YELLOW WIRE TO ITS PAIRED BLACK WIRE  
 IF THE AUXILIARY OUTPUT IS NOT UTILIZED, INDIVIDUALLY TAPE UP AND ISOLATE THE ORANGE & GREEN WIRES  
 IF THE AUXILIARY INPUT IS NOT UTILIZED, TAPE UP AND ISOLATE THE WHITE WIRE

..... 30CM MAX .....